

# SEPO 50 / SEPO 50 R

Fail Safe Pneumatic Cylinders



CYLINDERS & GAS SPRING PNEUMATIC 650N

Stroke 100 upto 800 mm

## Applications



Natural Ventilation



Smoke Ventilation

### Features:

Linear drive cylinder mainly used for pneumatic smoke vent applications for both sloping and vertical vents.

Spring action provides failsafe open or close operation.

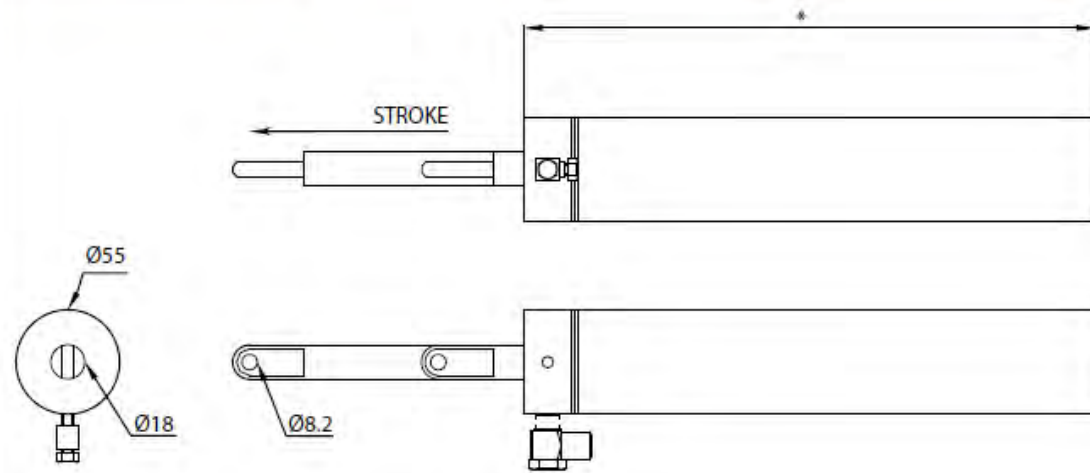


It is manufactured from anodised aluminium, which can be powder coated from a range of standard RAL colours

Version 2.0

# SEPO 50

## Technical Drawing



*Note:*  
Cylinder body length varies depending on the performance of the specified cylinder.  
Contact for details

24V dc

The AutoCAD drawing for this product can be found at [www.secontrols.com](http://www.secontrols.com)

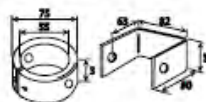
## Technical Data

## Connections

Actuator	SEPO 50	SEPO 50R
Operating pressure	7 bar 100psi	7 bar 100psi
Force F1 retracted	600N	600N
Force F2 extended	250N	250N
Stroke	100-800mm	100-800mm
Finish	Anodised Aluminium	Anodised Aluminium

Product	Force	Stroke	Product Code
Pneumatic Failsafe Cylinder	600N	100mm	CCS06000100
	600N	200mm	CCS06000200
	600N	300mm	CCS06000300
	600N	350mm	CCS06000350
	600N	400mm	CCS06000400
	600N	500mm	CCS06000500
	600N	600mm	CCS06000600
	600N	700mm	CCS06000700
	600N	800mm	CCS06000800

SEPO 50 CLAMP RING & BRACKET



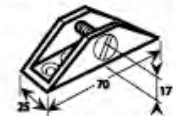
CBP00530801

150mm Stand Off bracket



BBB00501221

Gas Spring Top Bracket



BBB00501230

100mm Stand Off bracket



BBB00501231



Robertson  
Ventilation Industries

Tel: (011) 608 4640/1/2

[www.robventind.co.za](http://www.robventind.co.za)

Fax: (011) 608 4643

Version 2.0