

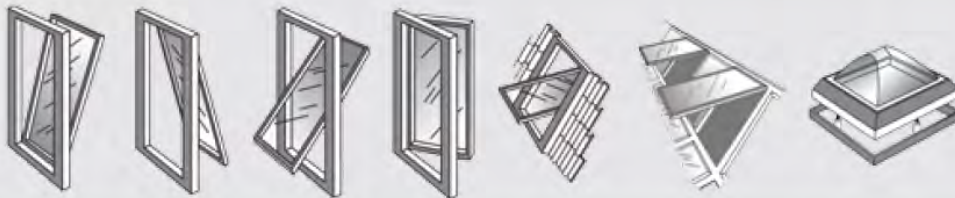
SELA S



LINEAR DRIVE ACTUATOR 230V ac 200/600N

Stroke 180 / 230 / 350 / 550 / 750 / 1000 mm

Applications



Features:

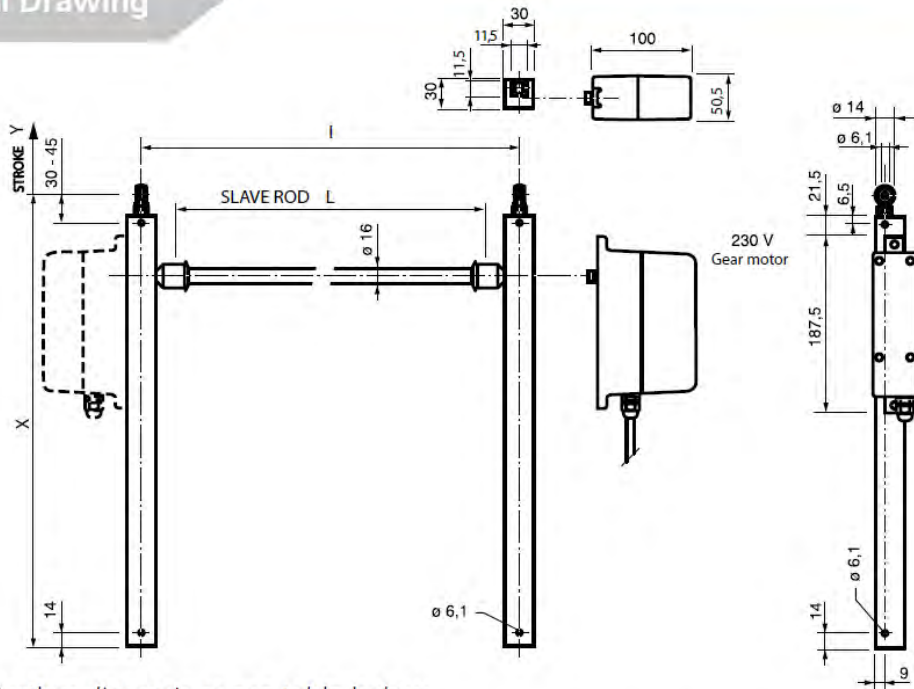
Cost effective and strong rack and motor drive mainly used for sloping natural ventilation and roof light applications.

Two push points from a single motor is provided via a connecting rod and secondary rack.



It is manufactured from anodised aluminium, which can be powder coated from a range of standard RAL colours

Version 2.0



230V ac
400/600N

* For Further dimensions see table below

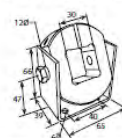
The AutoCAD drawing for this product can be found at www.secontrols.com

Technical Data

Connections

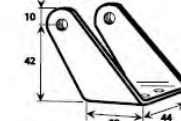
ACTUATOR	SELA S
TYPE	RACK & PINION LINEAR
ACTUATOR TYPE	MOTORIZED
VOLTAGE (all +/-6%)	230V ac
AMP DRAW CURRENT (no load)	0.085A
AMP DRAW CURRENT (with load)	0.11A
CONSUMPTION (without load)	18W / (14W)
CONSUMPTION (with load)	22W / (20W)
STROKE	180/230/350/550/750/1000mm
OPERATING TIME	5 or 14mm/s with rated load
AMBIENT OPERATING TEMP.	-10°C + 40°C
THRUST FORCE	200-600N
CLOSE FORCE	200-600N
SOFT CLOSE	N/A
SWITCHING	Electronic Limit
TYPE OF SWITCH	Absorption
STANDARD FINISH	Silver Anodised & White Motor.
COLOUR OPTION	N/A
POWER OUT FIXING	N/A
WINDOW MIN HEIGHT	Contact for details
FLEX LENGTH	1500mm
FLEX TYPE	4 core / 0.75mm silicon grey
INSULATION CLASS	H
PROTECTION DEGREE	IP55
PRODUCT LIFE	10,000 STROKES
WEIGHT	1.36Kg Motor plus rack
FACE FIX	N/A
THROUGH BODY FIX	N/A
CLAMP RING	YES
U BRACKET	YES
OPEN IN	NO
USAGE	NATURAL

SELA (24)S Clamp ring



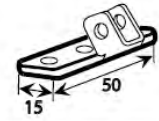
ABS01000014

SELA 24S Standard Mounting Bracket



AMM01569048

SELA 24 S Top Bracket



AMM01569045

A double speed version is also available, please Contact for details
These actuators require operation from a 230V ac control unit.

Recommended Control:

Contact an SE Control sales representative for recommendations.

* Product	Operating voltage	Force	Product code	stroke Y	X
Rack & Pinion Actuator	230V ac	600N	DAM08000180	180mm	325
	230V ac	600N	DAM08000230	230mm	375
	230V ac	600N	DAM08000350	350mm	495
	230V ac	600N	DAM08000750	750mm	895
	230V ac	600N	DAM08001000	1000mm	1145

Product	Operating voltage	Force	Product code	stroke Y	X
Slave actuator	n/a	n/a	DMM01S70180	180mm	325
	n/a	n/a	DMM01S70230	230mm	375
	n/a	n/a	DMM01S70350	350mm	495
	n/a	n/a	DMM01S70750	750mm	895
	n/a	n/a	DMM01S701000	1000mm	1145

Product	Operating voltage	Force	Product code	L	I
Slave rod	n/a	n/a	DMM01S61000	1000mm	1075
	n/a	n/a	DMM01S61250	1250mm	1325
	n/a	n/a	DMM01S61500	1500mm	1575
	n/a	n/a	DMM01S61700	1750mm	1825
	n/a	n/a	DMM01S62000	2000mm	2075



Voltage to 230V linear actuators must be switched off after each operation with a rest period required between cycles.