

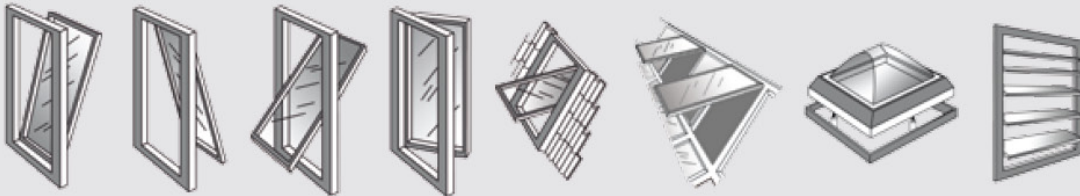
SELA 24 45 E1

LINEAR DRIVE ACTUATOR 24V dc 450N-1000N



Stroke 70 / 200 / 300 / 500 mm

Applications



Features:

Cost effective linear drive actuator mainly used for sloping ventilator applications, rooflights, and louvres.

Sliding body fixing brackets provides installation flexibility.



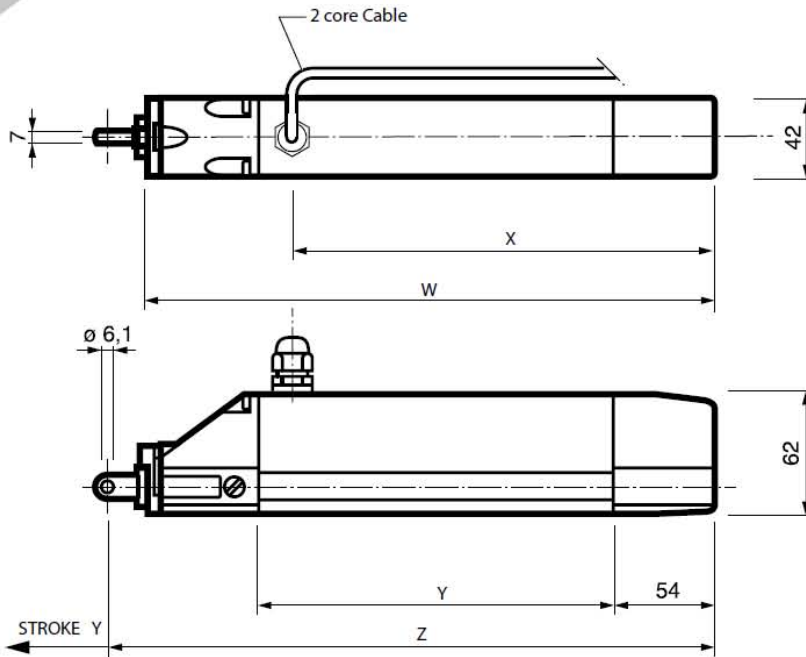
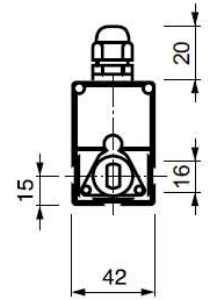
Standard finish is silver anodised aluminium

SELA 24 45 E1



Technical Drawing

Stroke Y	W	X	Y	Z
70mm	308mm	234mm	200mm	330mm
200mm	308mm	234mm	200mm	330mm
300mm	408mm	334mm	300mm	430mm
500mm	608mm	535mm	500mm	630mm



* For Further dimensions see table below

The AutoCAD drawing for this product can be found at www.secontrols.com



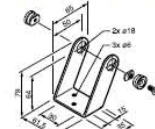
24V dc
450N-1000N

Technical Data

ACTUATOR	SELA 24 45 E1
TYPE	LINEAR
ACTUATOR TYPE	MOTORISED
VOLTAGE (all +/-6%)	24V dc
AMP DRAW CURRENT (no load)	0.75 A (0.7 A FOR 70mm)
AMP DRAW CURRENT (with load)	0.75 A (0.7 A FOR 70mm)
CONSUMPTION (without load)	18W (17W FOR 70mm)
CONSUMPTION (with load)	18W (17W FOR 70mm)
STROKE	70/200/300/500mm
OPERATING TIME	8mm/s with rated load (2.5mm / SEC 70mm)
AMBIENT OPERATING TEMP.	-20°C + 40°C
THRUST FORCE	450N (1000N FOR 70mm)
CLOSE FORCE	450N (1000N FOR 70mm)
SOFT CLOSE	N/A
SWITCHING	Physical Limit
TYPE OF SWITCH	Microswitch
STANDARD FINISH	Silver Anodised
COLOUR OPTION	N/A
POWER OUT FIXING	N/A
WINDOW MIN HEIGHT	N/A
FLEX LENGTH	1500mm
FLEX TYPE	2 core / black pvc 7.8mm
INSULATION CLASS	H
PROTECTION DEGREE	IP55
PRODUCT LIFE	10,000 STROKES (each direction)
WEIGHT	1.26kg/1.35Kg/1.53Kg/1.90Kg
FACE FIX	NO
THROUGH BODY FIX	NO
CLAMP RING	NO
U BRACKET	NO
OPEN IN	NO
USAGE	NATURAL

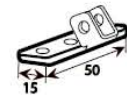
Connections

SELA 20 Standard Bracket



DAM00A00579

SELA 24 S Top Bracket



AMM01569045

A double speed version is also available, please Contact for details.

These actuators require control from a compatible low voltage unit such as OS2.

Recommended Control:

Contact an SE Controls sales representative for recommendations.

Product	Operating voltage	Force	Product code	stroke Y
Linear Actuator	24V dc	1000N	*AAM04500070	70mm
	24V dc	450N	*AAM04500200	200mm
	24V dc	450N	*AAM04500300	300mm
	24V dc	450N	*AAM04500500	500mm

Contact for details of availability for product codes starting with *.



Robertson
Ventilation Industries

Tel: (011) 608 4640/1/2

www.robventind.co.za

Fax: (011) 608 4643

Version 2.0