

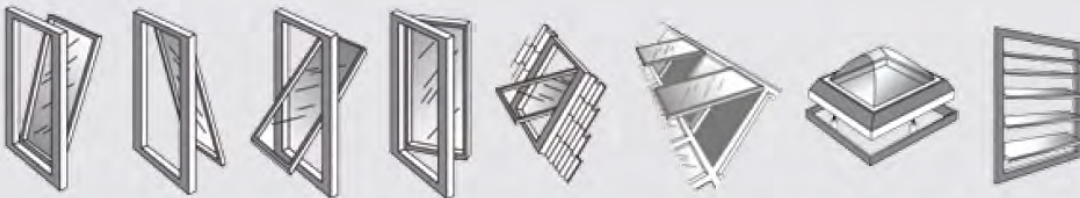
SELA 20



LINEAR DRIVE ACTUATOR 230V ac 200N

Stroke 105 / 180 / 300 mm

Applications



Features:

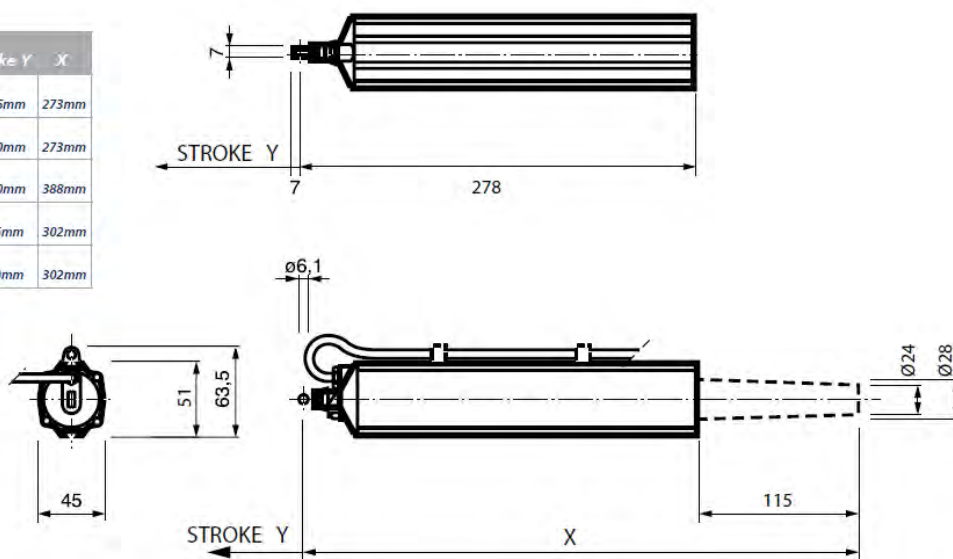
Small compact linear actuator mainly used for natural ventilation small sloping vent applications.
The bottom T attachment allows the actuator to operate adjustable louvres.



Standard finish is silver anodised aluminium

Version 2.0

Type	Stroke Y	X
Standard	105mm	273mm
Standard	180mm	273mm
Standard	300mm	388mm
"T"	105mm	302mm
"T"	180mm	302mm



230V ac
200N

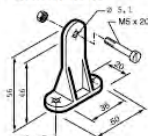
The AutoCAD drawing for this product can be found at www.secontrols.com

Technical Data

Connections

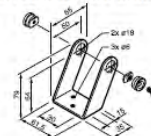
ACTUATOR	SELA 20
TYPE	LINEAR
ACTUATOR TYPE	MOTORISED
VOLTAGE (all +/- 5%)	230V ac
AMP DRAW CURRENT (no load)	0.7A
AMP DRAW CURRENT (with load)	0.7A
CONSUMPTION (without load)	160W
CONSUMPTION (with load)	160W
STROKE	105/180/300mm
OPERATING TIME	30mm/s with rated load
AMBIENT OPERATING TEMP.	-10°C + 40°C
THRUST FORCE	200N
CLOSE FORCE	200N
SOFT CLOSE	NO
SWITCHING	Physical Limit
TYPE OF SWITCH	Micro switch
STANDARD FINISH	Silver Anodised
COLOUR OPTION	N/A
POWER OUT FIXING	N/A
WINDOW MIN HEIGHT	Contact for details
FLEX LENGTH	1200mm
FLEX TYPE	4 core / white pvc 7.8mm
INSULATION CLASS	F
PROTECTION DEGREE	IP44
PRODUCT LIFE	10,000 STROKES
WEIGHT	1.30Kg/1.34Kg/1.46Kg
FACE FIX	NO
THROUGH BODY FIX	NO
CLAMP RING	NO
U BRACKET	Sliding adjustable U bracket
OPEN IN	NO
USAGE	NATURAL

"T" Attachment



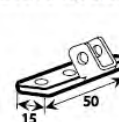
AVAILABLE FOR ORDER

SELA 20 Standard Bracket



DAM00A00579

SELA 24 S Top Bracket



AMM01569045

These actuators require operation from a 230V ac control unit.

Recommended Control:

Contact an SE Control sales representative for recommendations.

Product	Operating voltage	Force	Product code	stroke Y
Linear Actuator	230V ac	200N	*DAM02000105	105mm
	230V ac	200N	DAM02000180	180mm
	230V ac	200N	DAM02000300	300mm

Linear Actuator with "T" attachments	230V ac	200N	DAM0200T105	105mm
	230V ac	200N	DAM0200T300	180mm

Contact for details of availability for product codes starting with *.



Voltage to 230V chain actuators must be switched off after each operation with a rest period required between cycles.