

SELA 100



Stroke 300 / 500 mm

LINEAR DRIVE ACTUATOR 230V ac 1000N

Applications



Features:

Highly versatile and strong linear actuator mainly used for sloping vent and rooflight natural ventilation applications.

Sliding fixing bracket allows easy installation.

Tandem version available.



Standard finish is silver anodised aluminium

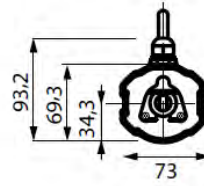
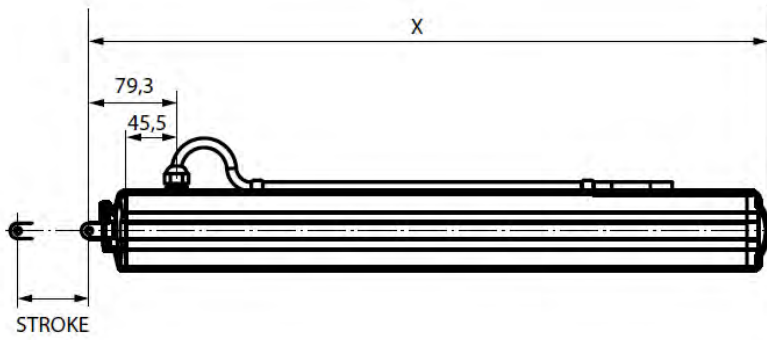
Version 2.0



SELA 100



Technical Drawing



Stroke Y	X
300mm	415.5mm
500mm	615.5mm



230V ac
1000N

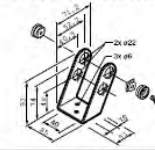
The AutoCAD drawing for this product can be found at www.secontrols.com

Technical Data

Connections

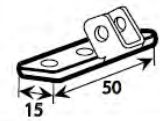
ACTUATOR	SELA 100
TYPE	LINEAR
ACTUATOR TYPE	MOTORISED
VOLTAGE (all +/-6%)	230V ac
AMP DRAW CURRENT (no load)	1.2A
AMP DRAW CURRENT (with load)	1.2A
CONSUMPTION (without load)	270W
CONSUMPTION (with load)	270W
STROKE	300/500mm
OPERATING TIME	4 mins to fully extend
AMBIENT OPERATING TEMP.	-10°C + 40°C
THRUST FORCE	1000N
CLOSE FORCE	1000N
SOFT CLOSE	N/A
SWITCHING	Physical Limit
TYPE OF SWITCH	Micro switch
STANDARD FINISH	Silver Anodised
COLOUR OPTION	N/A
POWER OUT FIXING	N/A
WINDOW MIN HEIGHT	Contact for details
FLEX LENGTH	1000mm
FLEX TYPE	4 core / white pvc 7.8mm
INSULATION CLASS	F
PROTECTION DEGREE	IP55
PRODUCT LIFE	10,000 STROKES
WEIGHT	3.0kg/3.40Kg
FACE FIX	NO
THROUGH BODY FIX	NO
CLAMP RING	NO
U BRACKET	NO
OPEN IN	NO
USAGE	NATURAL

SELA 100 PIVOT BRACKET



DAM01000125

SELA 24 S Top Bracket



AMM01569045

These actuators require operation from a 230V ac control unit.

Recommended Control:

Contact an SE Control sales representative for recommendations.

Product	Operating voltage	Force	Product code	stroke Y
Linear Actuator	230V ac	1000N	DAM10000300	300mm
	230V ac	1000N	DAM10000500	500mm



Voltage to 230V linear actuators must be switched off after each operation with a rest period required between cycles.

Version 2.0



Robertson
Ventilation Industries

Tel: (011) 608 4640/1/2

www.robventind.co.za

Fax: (011) 608 4643